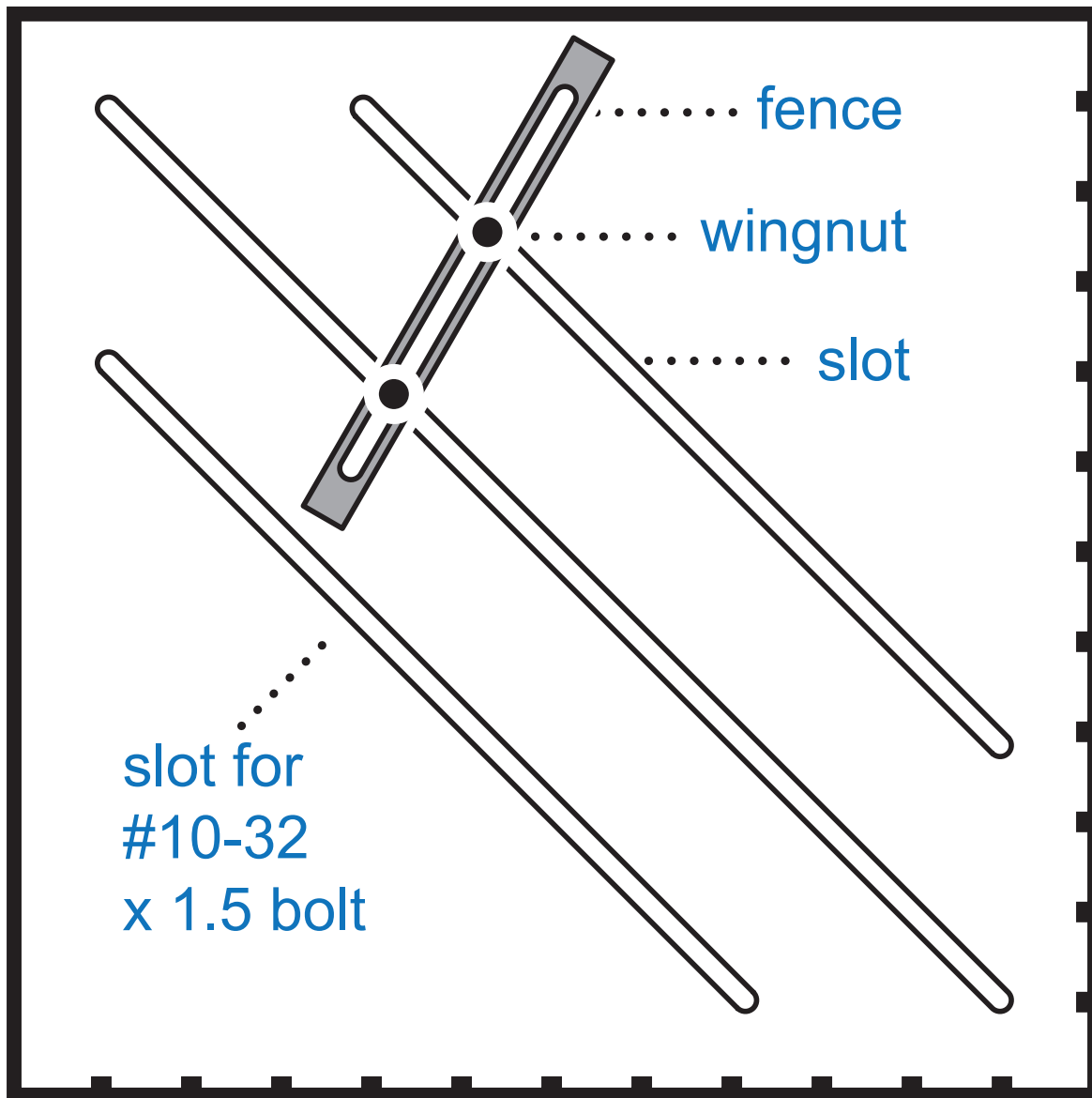
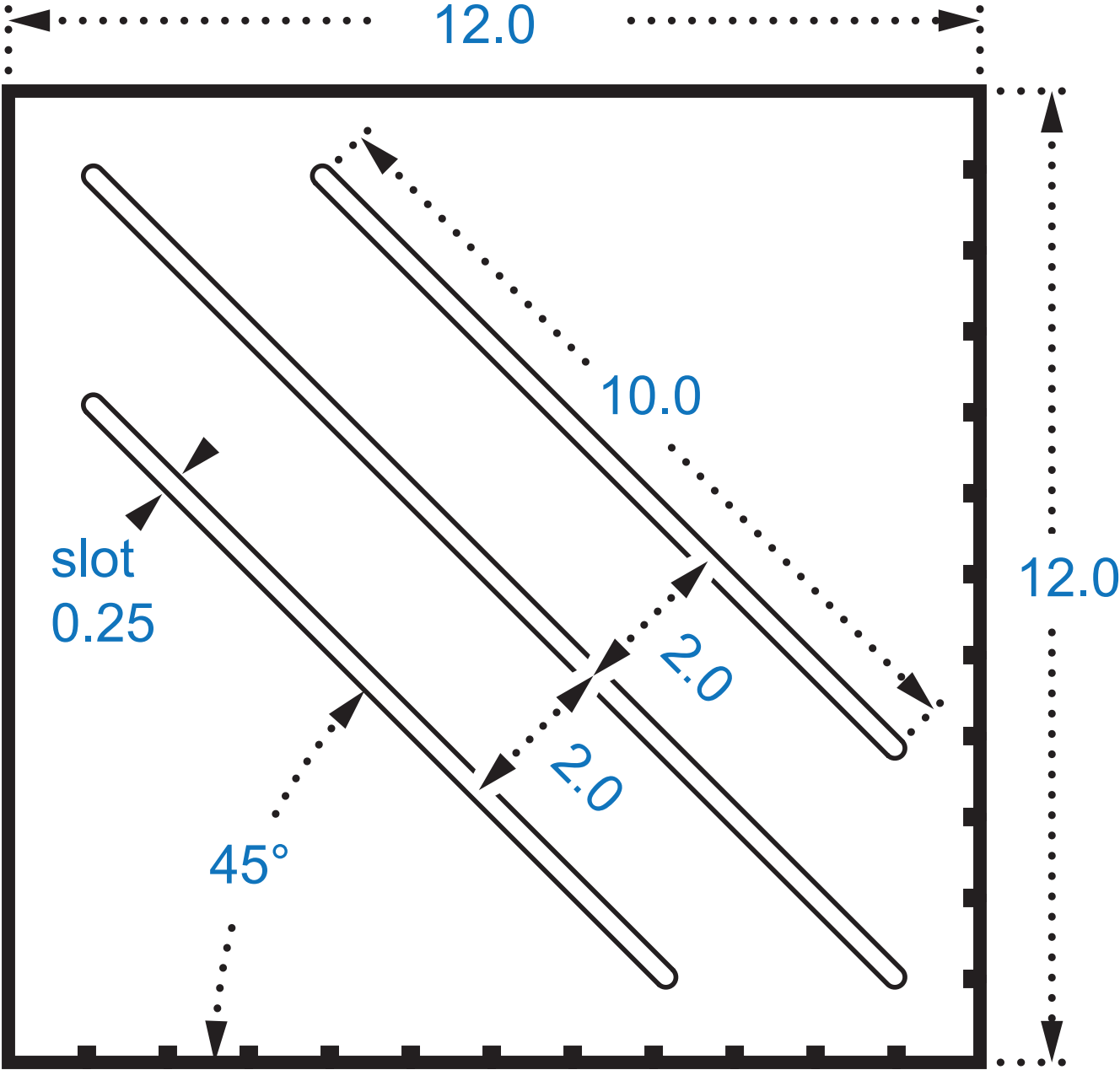


# Angle Length Jig and Fence



.....  
notches cut into board  
as tactile measurement

# Angle Length Jig 1



slot  
0.25

45°

12.0

10.0

2.0

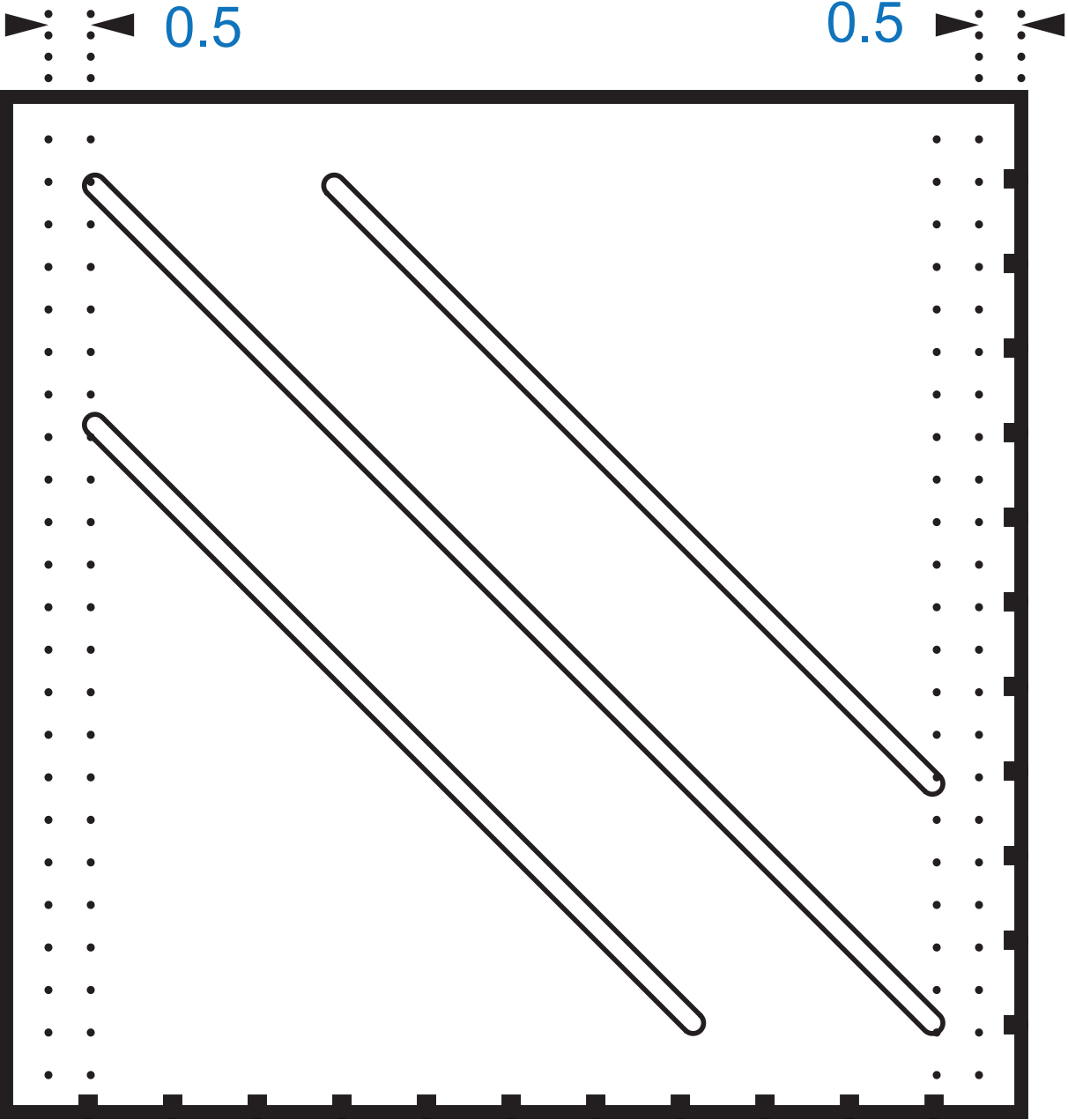
2.0

12.0

0.0625 notch cut  
0.125 into board

# Angle Length Jig 2

top view



side view



# Angle Length Jig Fence

