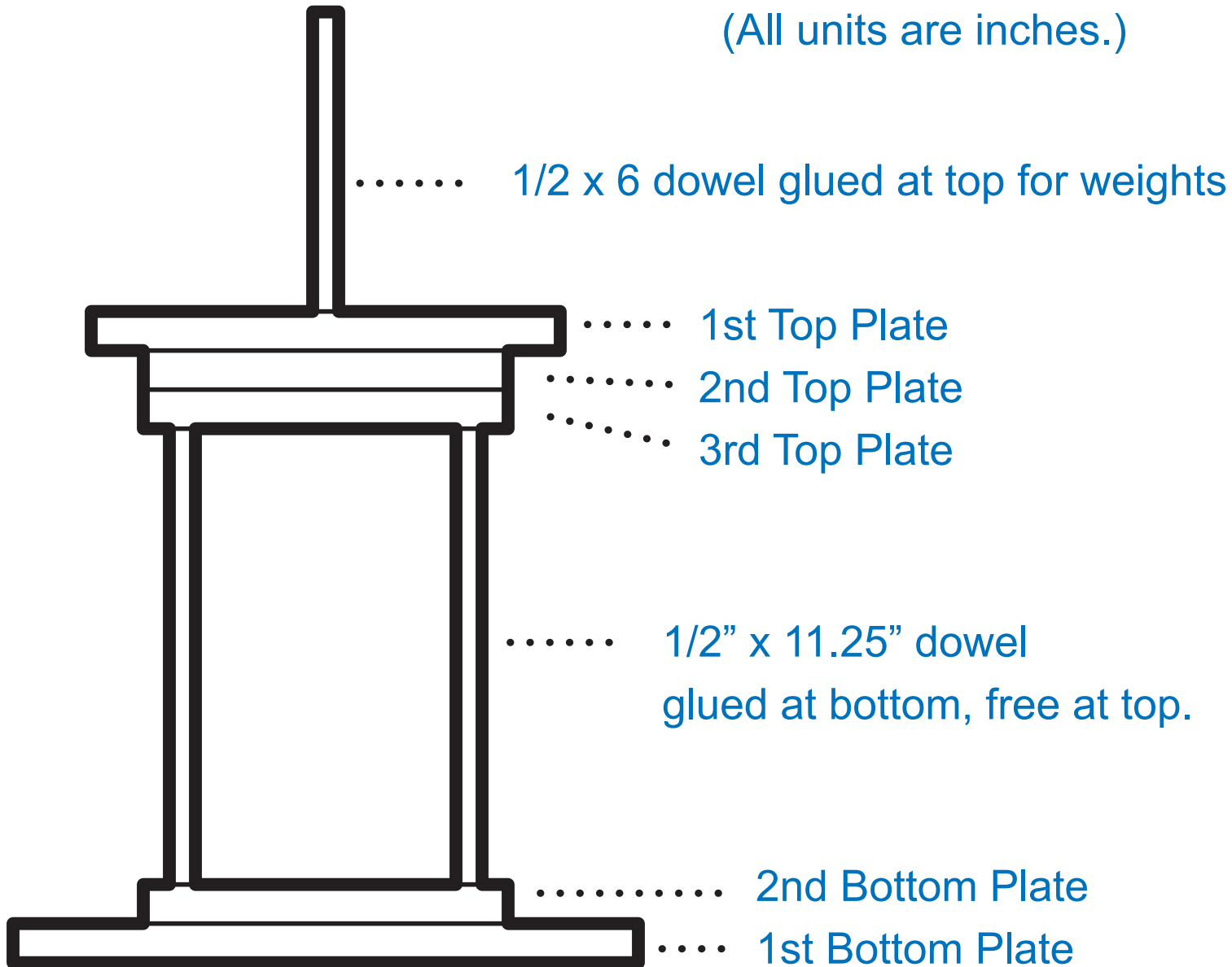


# Column Tester Side View

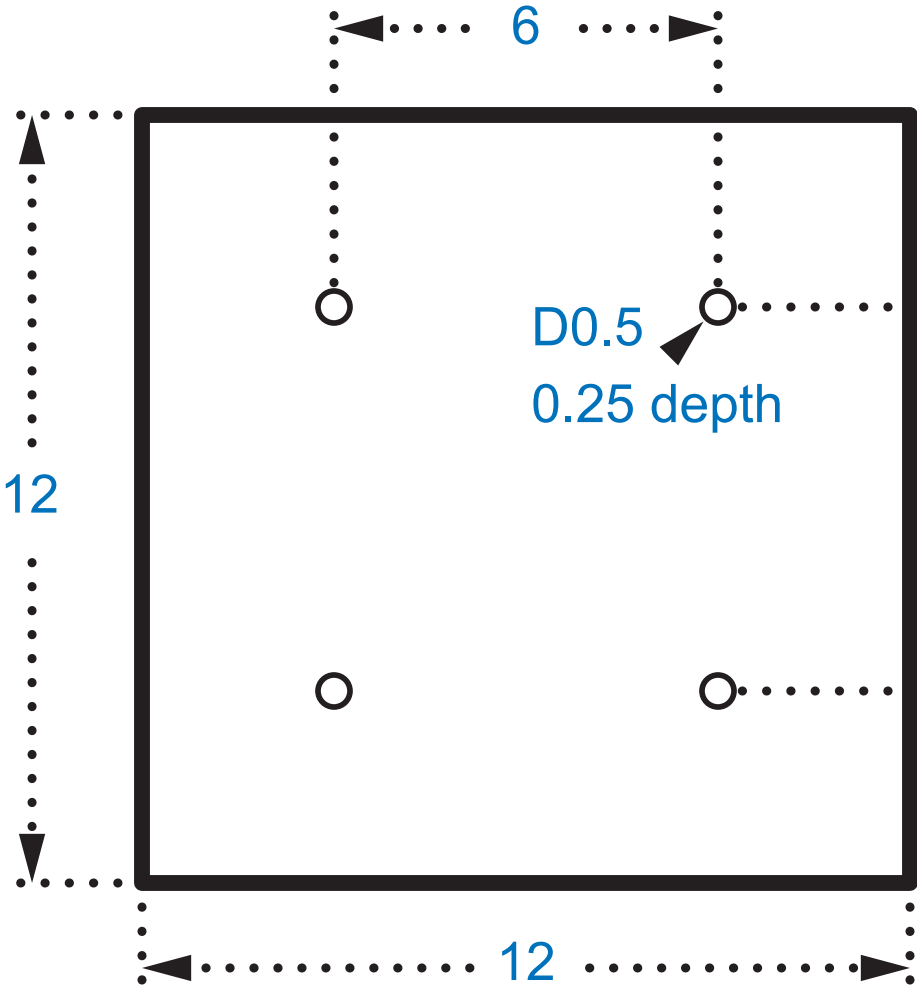
(All units are inches.)



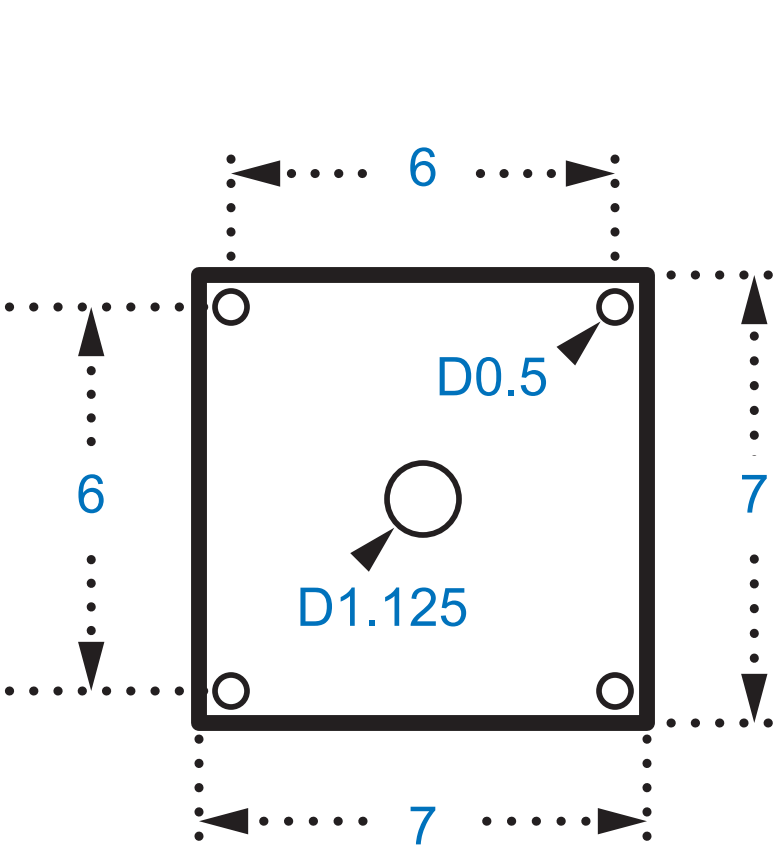
# Column Tester Bottom Plates

(Units: inches. Plates 0.75 thick.)

1st Bottom Plate

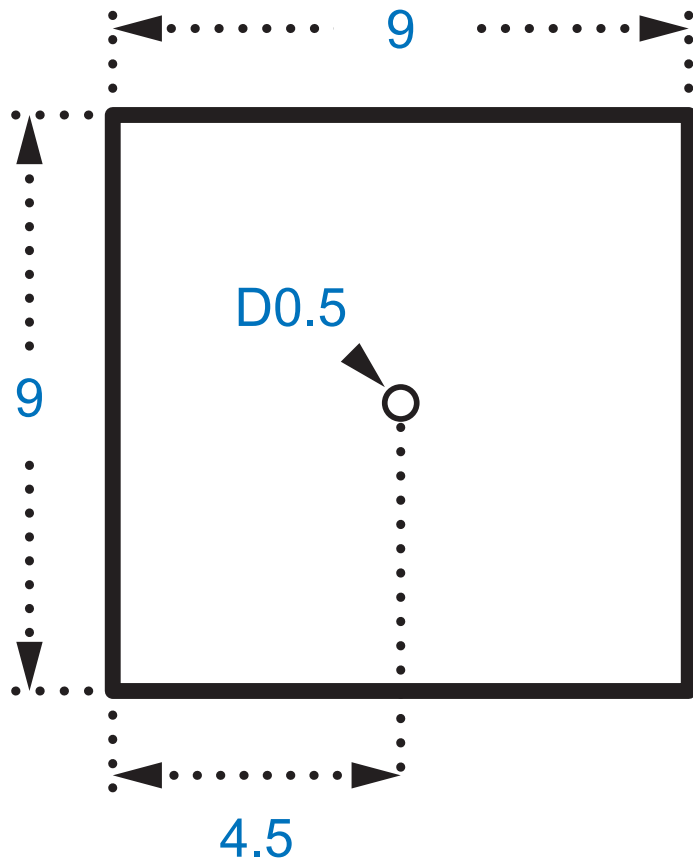


2nd Bottom Plate

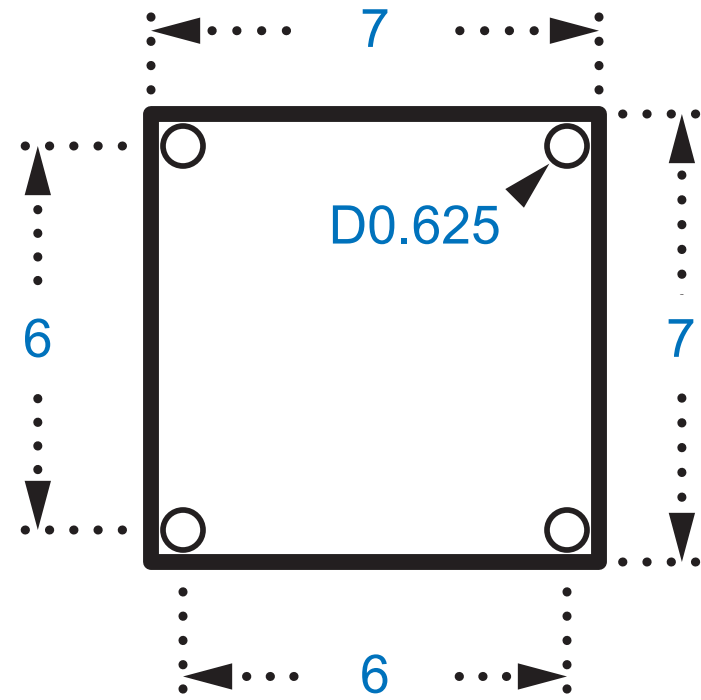


# Column Tester Top Plates

1st Top Plate

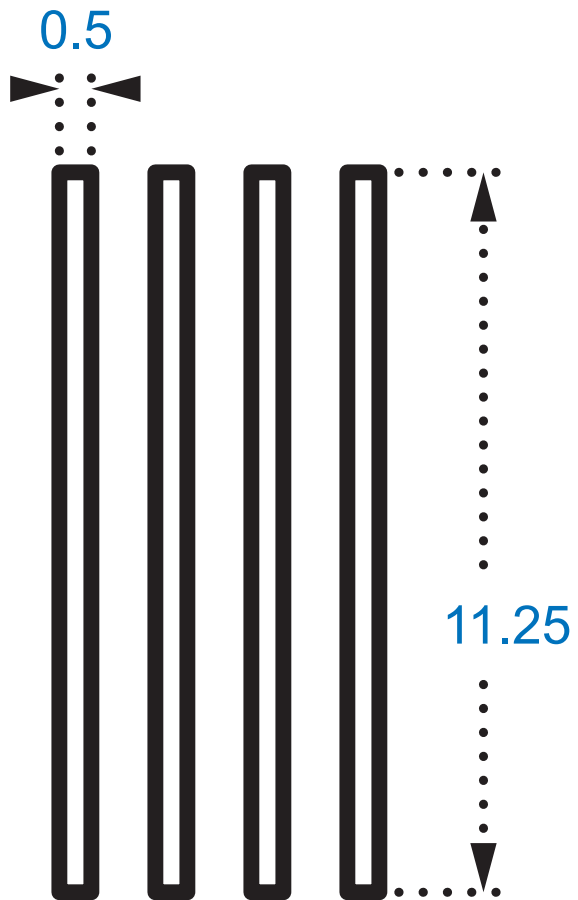


2nd Top Plate and  
3rd Top Plate,  
same, glued together



# Column Tester Dowels

glued at bottom,  
beveled at top



glued on top  
plate for weights



removable spacers in  
2nd bottom plate

