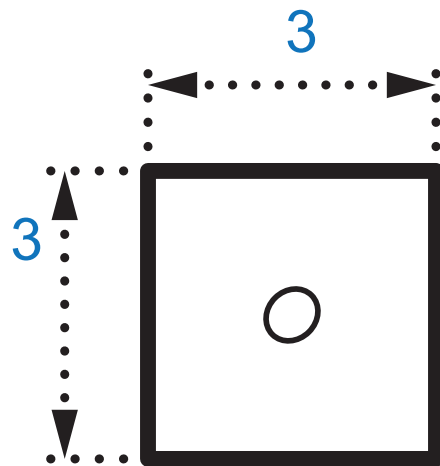


# Cube on Base Components

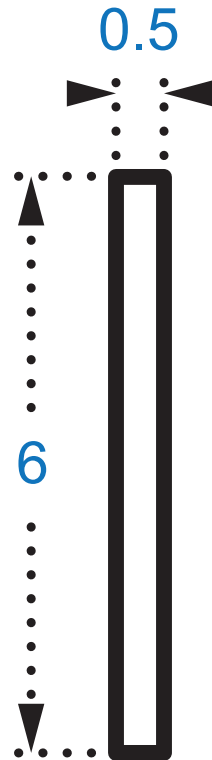
All units are inches.

scale: 1:2

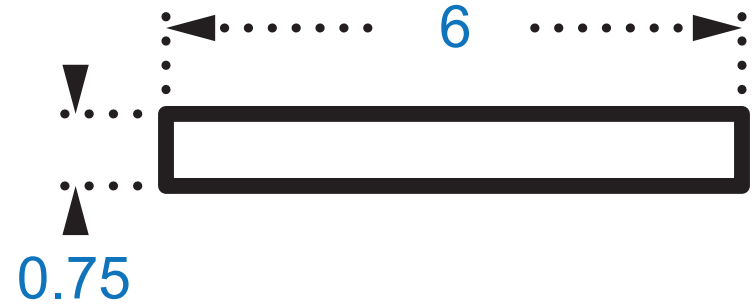
Cube  
3x3x3



Dowel  
D0.5x6

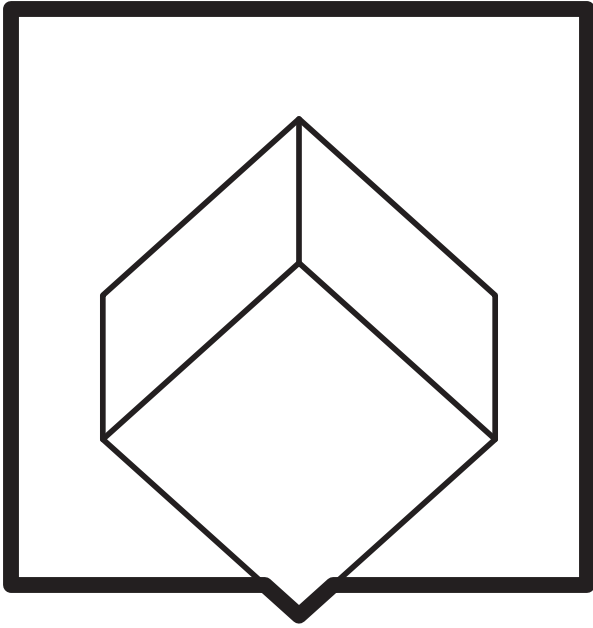


Base  
approx 6x6x0.75

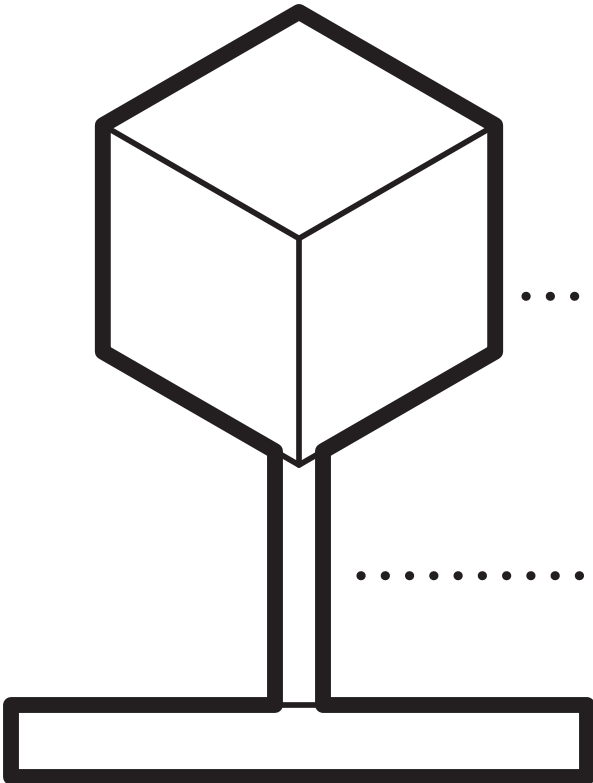


# Cube on Base

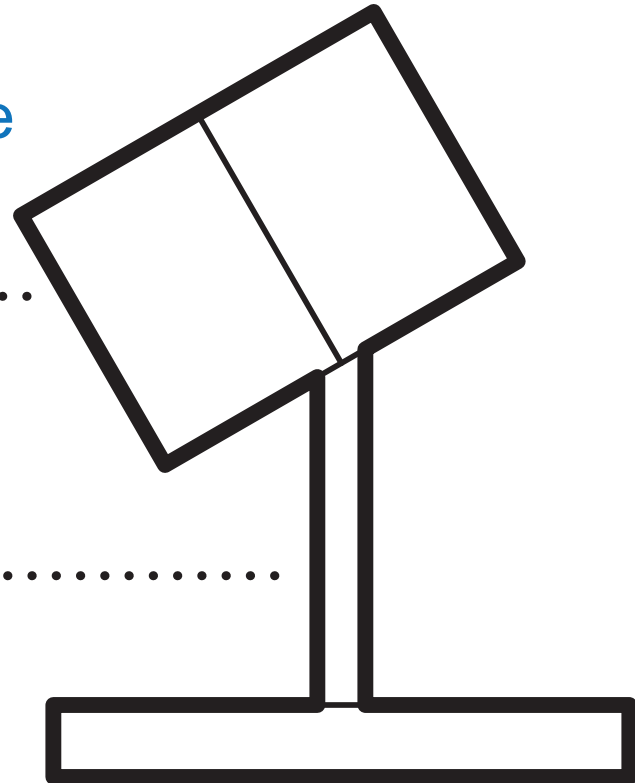
top



front



side



..... cube .....

..... dowel .....

base

# Cube on Base Cross-section

