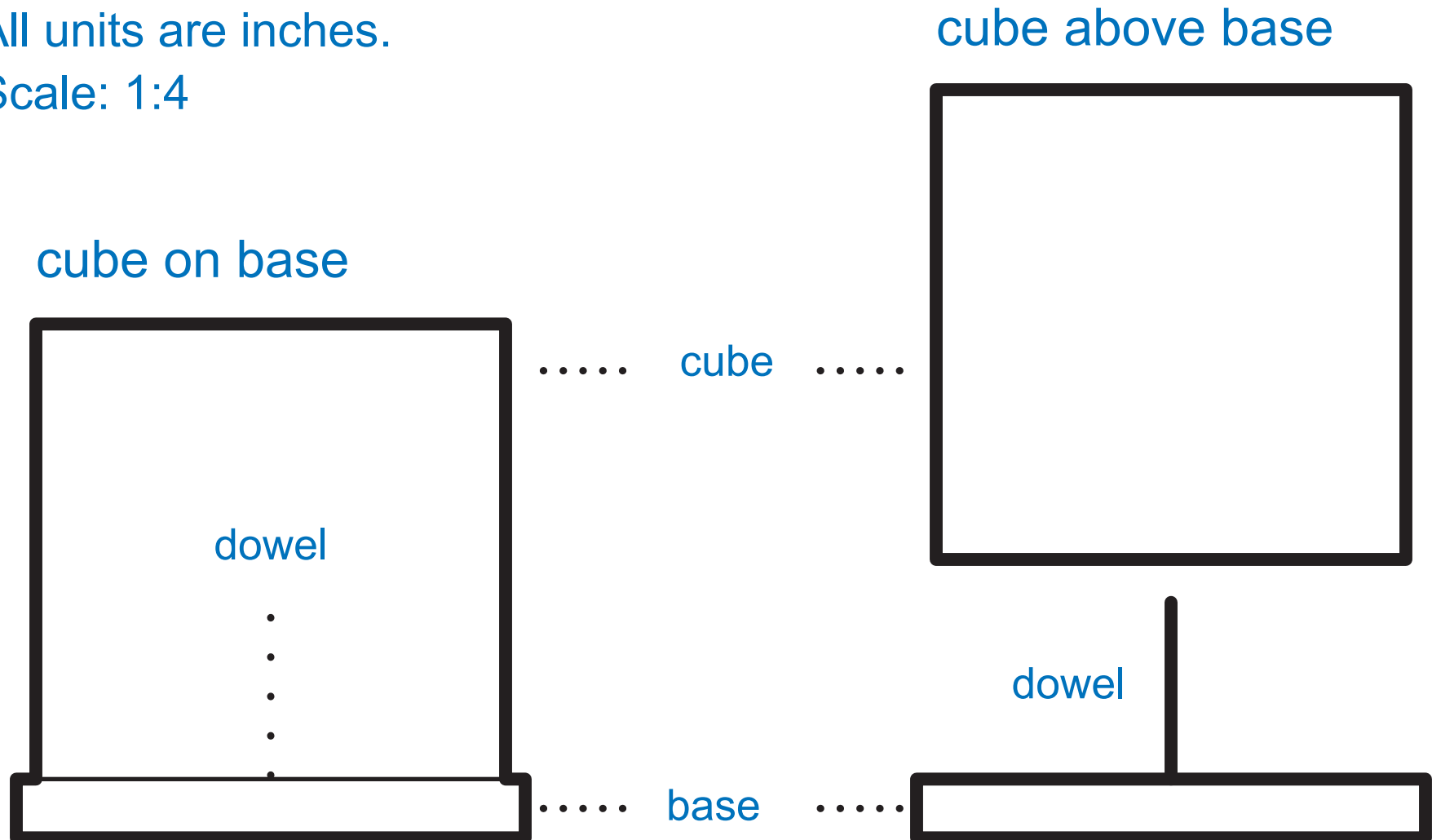


Plexiglass Cube and Base Elevation

All units are inches.

Scale: 1:4

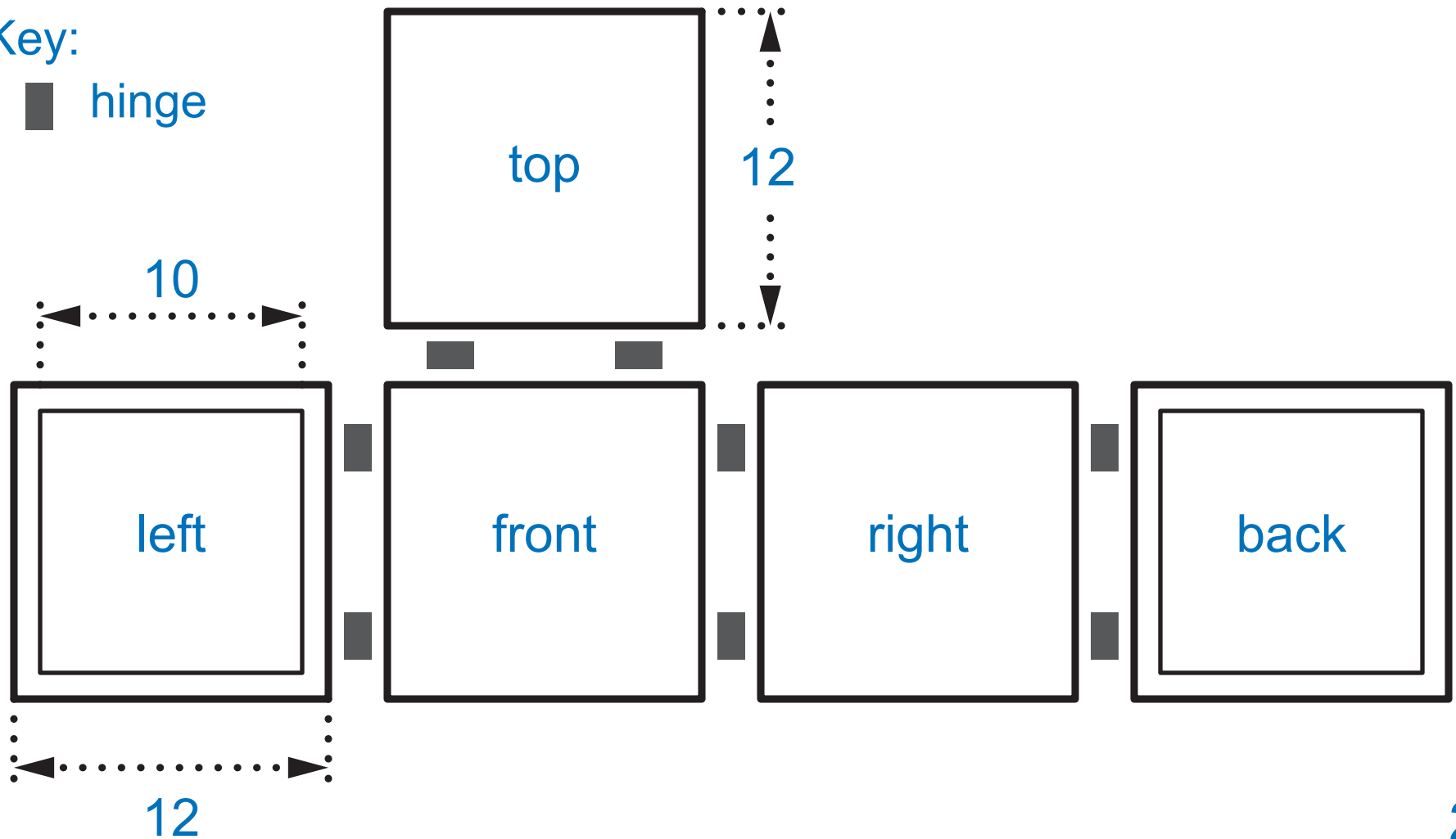


Cube Components

Scale: 1:6

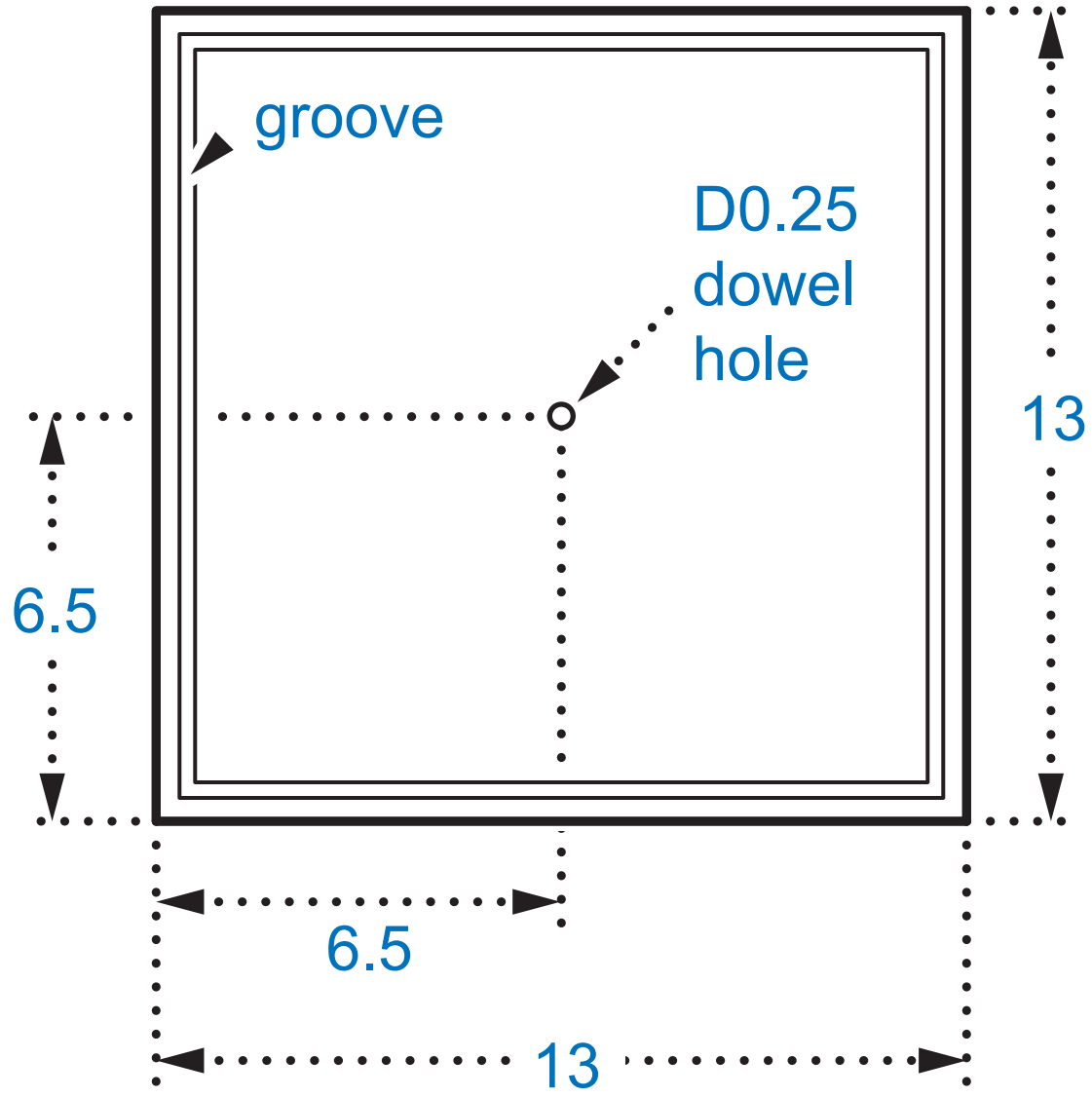
Key:

■ hinge



Base Top View

Scale: 1:3



Plexiglass Cube and Base Cross-section

Scale: 1:3

